



Pinnacle-Flo, Inc.

Pinnacle-Flo, Inc.



Mad Dog Self Priming Trash Pump





Pinnacle-Flo, Inc.

About Us

Pinnacle-Flo, Inc. is a leading supplier of centrifugal pumps and accessories. Our premium products have been widely accepted in various industries which include oil-gas exploration, petro-chemical, mining, water and waste water treatment, and food industries.

We are continuously striving to increase our variety of pumps to satisfy the high demand of our distributors.



Features

Solids Handling Impeller

Two-vane, semi-open, solids handling impeller, reduce foreign material buildup and reduce pressure on seal and bearings for extended pump life.



Abrasion-Resistant Cartridge Mechanical Seal

Double-floating, self-aligning oil lubricated cartridge mechanical cartridge seal with stationary and rotating face of tungsten carbide or silicon carbide is specifically designed for abrasive industrial wastewater service.



Replaceable Wearplate

Replaceable heavy-duty wearplates fastened to the cover plate protects priming chamber from wear of erosion and can easily be removed for inspection or service.



Replaceable Cover Plate

Removable cover plate provides quick and easy access to pump interior without disconnecting piping. Clogs can be removed and pump returned to service in minutes. Impeller, seal, wearplate and flap valve can also be accessed through cover plate opening for inspection or service.



Removable Rotating Assembly

Removal of rotating assembly allows easy inspection of pump shaft or bearings without disturbing pump casing or piping.



Drive Variations

Pumps may be powered by gasoline or diesel engines. Electric motor driven pumps with "standby" engine power are also available.

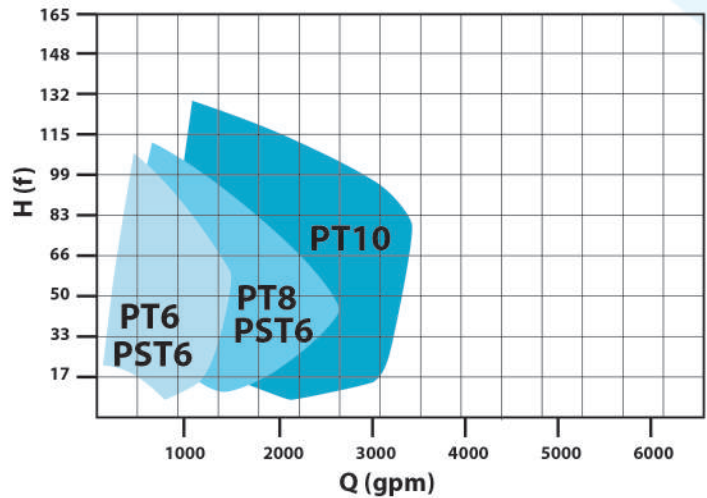
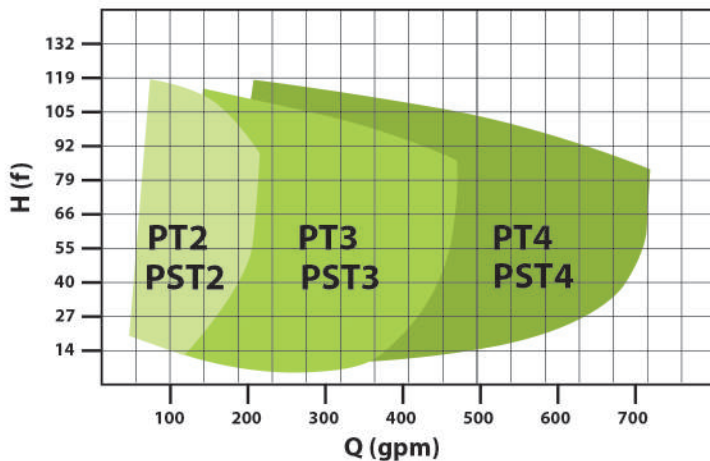


Mad Dog Self Priming Trash Pump

MODELS

Item	Size	Casing	Impeller/Rotor	Drive	Flange	Mechanical Seal
PT3 PST3.X	3"X3"	Cast Iron/304SS/316SS/CD4MCU	Cast Iron/304SS/316SS/CD4MCU	Basic	DIN/ASA/DIN Spool/ASA Spool	Cartridge Style Tungsten Carbide/Silicon Carbide
PT4 PST4.X	4"X4"	Cast Iron/304SS/316SS/CD4MCU	Cast Iron/304SS/316SS/CD4MCU	Basic	DIN/ASA/DIN Spool/ASA Spool	Cartridge Style Tungsten Carbide/Silicon Carbide
PT6 PST6.X	6"X6"	Cast Iron/304SS/316SS/CD4MCU	Cast Iron/304SS/316SS/CD4MCU	Basic	DIN/ASA/DIN Spool/ASA Spool	Cartridge Style Tungsten Carbide/Silicon Carbide
PT8 PST8.X	8"X8"	Cast Iron/304SS/316SS/CD4MCU	Cast Iron/304SS/316SS/CD4MCU	Basic	DIN/ASA/DIN Spool/ASA Spool	Cartridge Style Tungsten Carbide/Silicon Carbide
PT10.X	10"X10"	Cast Iron/304SS/316SS/CD4MCU	Cast Iron/304SS/316SS/CD4MCU	Basic	DIN/ASA/DIN Spool/ASA Spool	Cartridge Style Tungsten Carbide/Silicon Carbide

Performance Curves



Specifications

Size: 2", 3", 4", 6", 8", 10", optional 12" available
 Max Capacity: 3,400 GPM
 Max Head: 130"
 Max Solids: 3"
 Max Temperature: 106 F
 Material of Construction: Cast Iron, Stainless, CD4MCU

Applications

1. Liquid En-trained with Solids
2. General Industrial, Pump Paper, Mining, Meat Packing
3. Raw Sewage, Sludge
4. Slurry
5. Trash
6. Waste water



PST Series

Designed for economical, trouble-free operation, the superior solids-handling capabilities of PST Series pumps make them ideally suited for a variety of applications including solids-laden liquids and slurries. The large volute design allows automatic repriming in a completely open system without the need



In our PST Series pump the impeller clearance can be easily adjusted.

Series Specifications

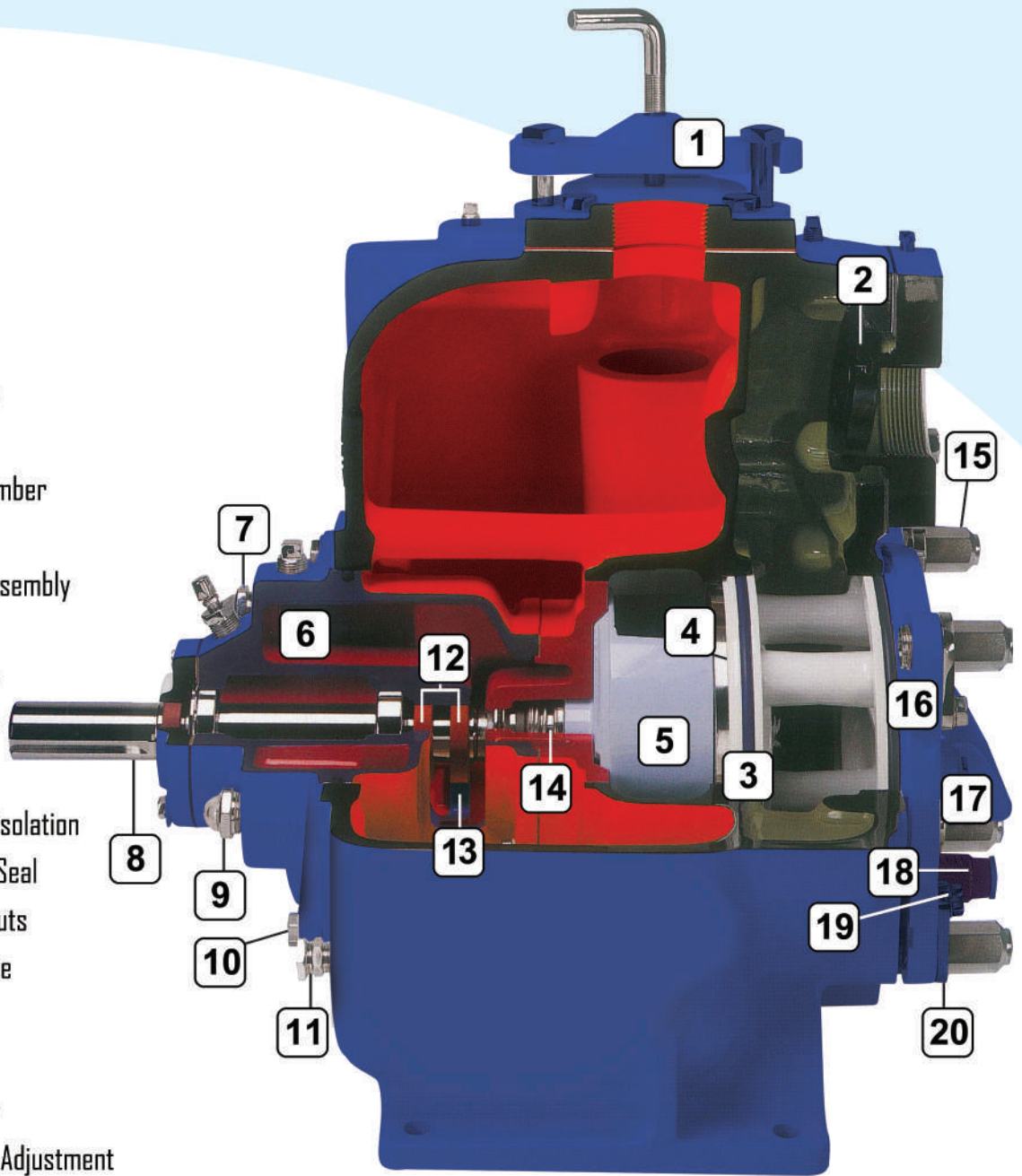
Size	3"x3", 4"x4", 6"x6", 8"x8", 10"x10"
Max Capacity	3400 GPM/215 LPS
Max Head	130 FT/40 M
Max Solids	3 IN/76 MM
Material of Construction	Cast Iron, CD4MCu, 304SS, 316SS



Self-Priming Pump

These pumps feature a large volute design that allows them to re-prime automatically in a completely open system without the need for suction or discharge check valves - and they can do it with the pump casing only partially filled with liquid and a completely dry suction line.

- 1.- Fill Port
- 2.- Suction Check Valve
- 3.- O-Ring Seal
- 4.- Replaceable Wearplate
- 5.- Balanced Impeller
- 6.- Oversized Seal Oil Chamber
- 7.- Seal Oil Monitor
- 8.- Removable Rotating Assembly
- 9.- Bearing Oil Monitor
- 10.- Pusher Bolt Capability
- 11.- Optional Casing Heater
- 12.- Double Lip Seals
- 13.- Atmospheric Bearing Isolation
- 14.- Cartridge Mechanical Seal
- 15.- Easy-Off Coverplate Nuts
- 16.- Removeable Coverplate
- 17.- Easy-Grip Handle
- 18.- Pressure Relief Valve
- 19.- Pusher Bolt Capability
- 20.- Shim less Coverplate Adjustment



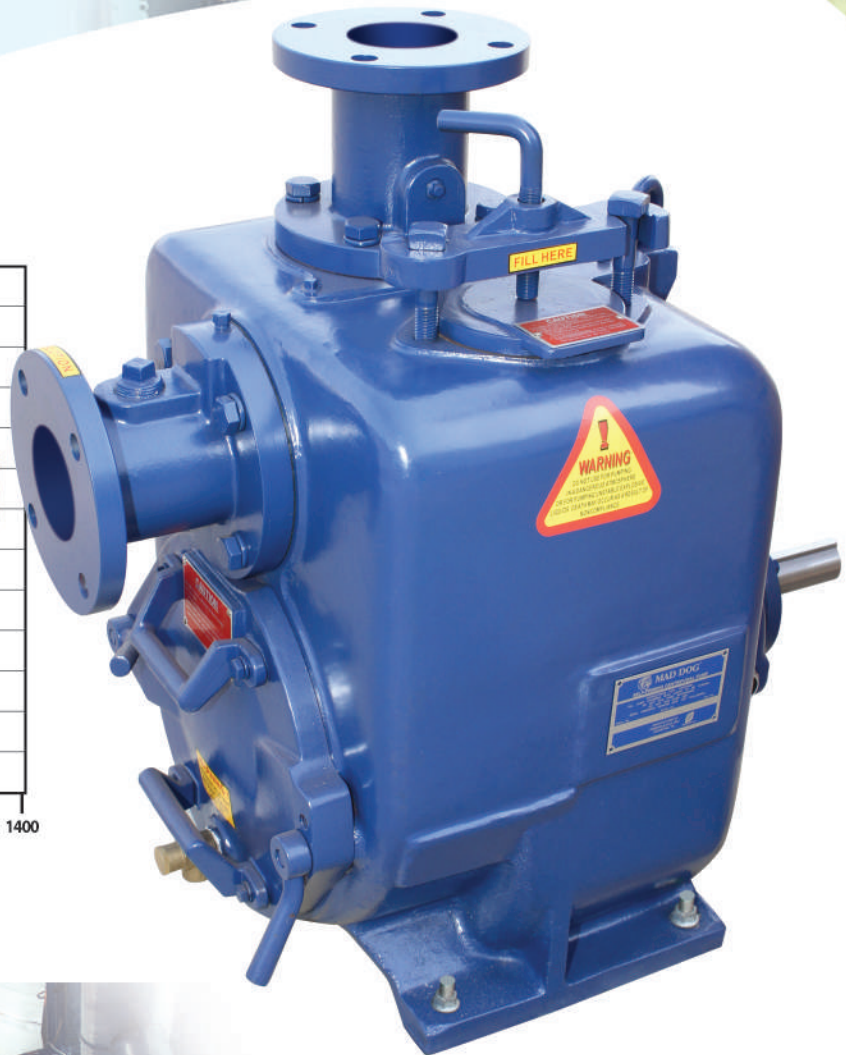
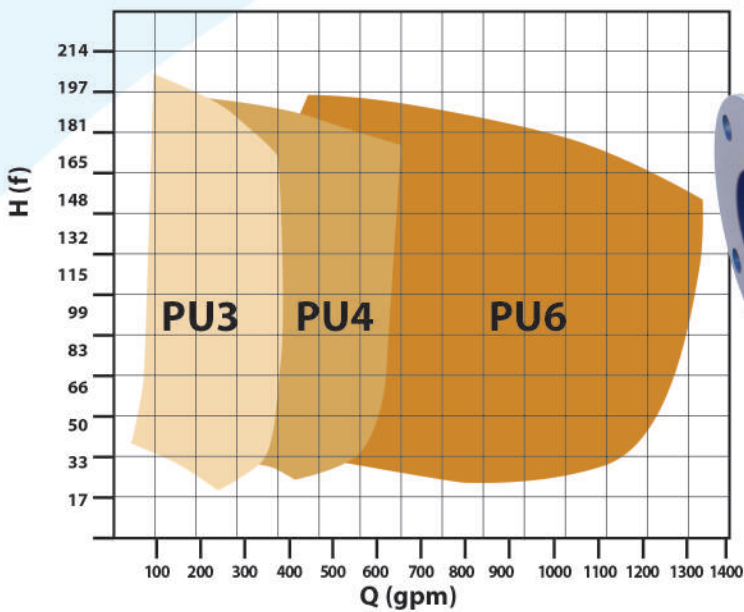
CUT AWAY VIEW

PU Series

They are designed to provide various flow rates at higher pressures. This is accomplished by the design of the five vane impeller versus the two vanes that are found on the standard self-prime trash pump. Only 1.5" solids will pass through this impeller.



Performance Curves

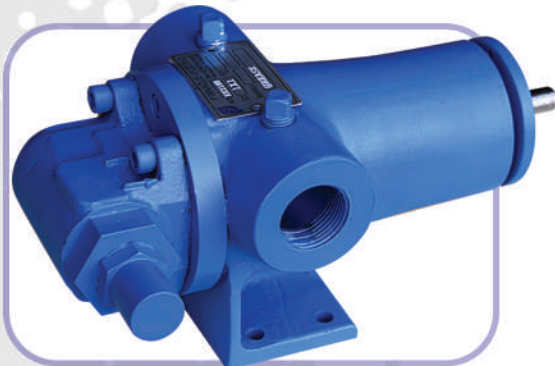




Pinnacle-Flo, Inc.



AODD Pump
Blue Dog series



Gear Pump
Buffalo series



Pinnacle 8896
ANSI pump series

Pinnacle-Flo, Inc.

10620 Stebbins Circle Suite D • Houston, TX 77043

Office: (832) 303-1245 / Fax: (832) 900-9398

www.pinnacle-flo.com

email: sales@pinnacle-flo.com